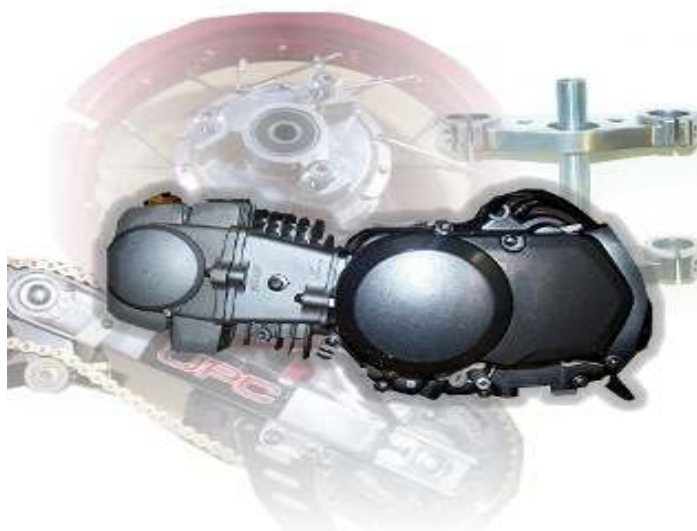




Parts Manual 2006
(110cc Engine)



TEL: 1-888-521-3677
www.unlimitedpowercorp.com

12207 Los Nietos Rd. Unit C, Santa Fe Springs Ca. 90670

ENGINE 110cc

CYLINDER HEADPage 1

CYLINDERPage 2

CAMSHAFT VALVEPage 3

CAM CHAIN TENSIONERPage 4

CRANKCASEPage 5

OIL FILTERPage 6

OIL PUMPPage 7

CRANKSHAFT/ PISTONPage 8

LEFT CRANKCASE COVER/GENERATOR.....Page 9

CLUCTHPage 10

RIGHT CRANKCASE COVERPage 11

TRANSMISSION.....Page 12

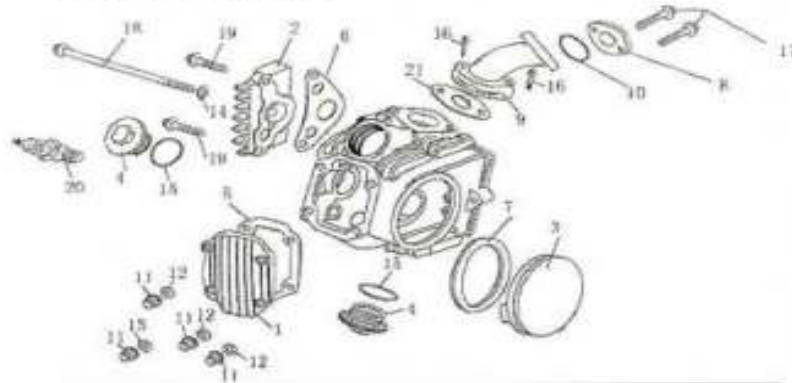
GEAR SHIFT MECHANISM.....Page 13

KICK START MECHANISM.....Page 14

CARBURETOR.....Page 15



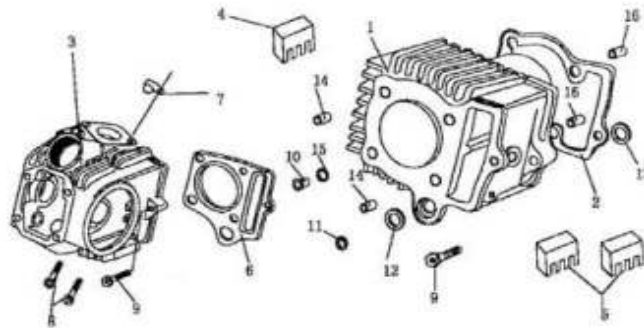
CYLINDER HEAD



DIA.N	PART NO.	DESCRIPTION	Q'TY
B01-01	12310-ABC0-000	Cylinder Head Cover	1
B01-02	12332-ABC0-000	Cylinder Head Cover R.	1
B01-03	12331-AB00-000	Cylinder Head Cover L.	1
B01-04	FB000102GD	Valve Cover (gold)	2
B01-05	12392-ABC0-000	Gasket, Cylinder Head Cover	1
B01-06	12334-ABC0-000	714	1
B01-07	12333-AB00-000	Gasket, Cylinder Head L.	1
B01-08	16107-ABCD-000	Gasket, Insulator	1
B01-09	16103-ABC0-000	Pipe In	1
B01-10	90701-25002-000	O Ring 25*2.4	1
B01-11	GB/923-88-M6-L	Nut Flange M6	4
B01-12	90301-06005-00B	Washer 6.5	3
B01-13	90301-08005-0CU	Copper Washer 6.5	1
B01-14	90301-6-00B	Aluminium Washer 6.5	1
B01-15	90701-31003-005	O-Ring,Valve 27.4*2.4	2
B01-16	GB/5787-06025-L	Bolt, Hex-Flange M6*25	2
B01-17	GB/70-06030-N	Bolt, Cylinder Hex-Head M6*30	2
B01-18	GB/5787-06110-L	Bolt, Hex-Flange M6*110	1
B01-19	GB/5787-06020-L	Bolt, Hex-Flange M6*20	2
B01-20	30700-ABCD-000	Spark, Plug	1
B01-21	17191-ABCD-000	Gasket, Pipe In	1
B01-22	FA000000	110cc Complete Full Engine	1



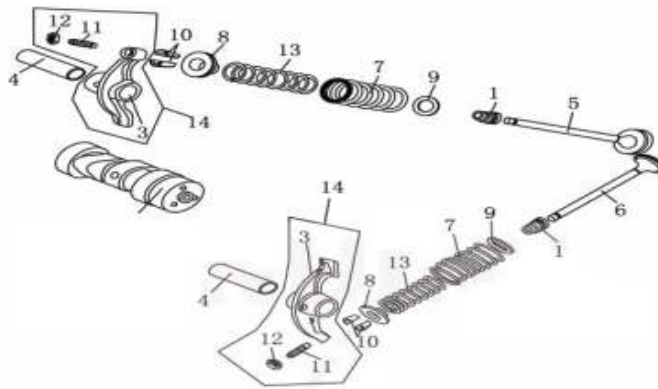
CYLINDER



DIA.N	PART NO.	DESCRIPTION	Q'TY
B02-01	12000-B000-000	Cylinder	1
B02-02	12191-B000-000	Gasket, Cylinder	1
B02-03	12220-B000-000	Cylinder Head	1
B02-04	12912-B000-000	Rubber Cushion 1, Cylinder	1
B02-05	12913-B000-000	Rubber Cushion 2, Cylinder	2
B02-06	12391-B000-000	Gasket, Cylinder Head	1
B02-07	90563-ABCD-000	Clip, Hi-Pot Cable	1
B02-08	GB/70-06020-N	Bolt, Cylinder Hex- Head M6*20	2
B02-09	GB/19.2-06020-L	Bolt, Hex- Head Cross M6*20	2
B02-10	90414-ABCD-000	Bush 20134	1
B02-11	90128-ABCD-000	Bush 20128	1
B02-12	12393-ABCD-00A	Seal Ring A 15*19*2.4	1
B02-13	12393-ABCD-00B	Seal Ring B 11.5*16*2.5	1
B02-14	90411-08014-000	Pin, Dowel 92401-08014	2
B02-15	12395-ABCD-000	Gasket, Seal 8*2	1
B02-16	90411-08012-000	Pin, Dowel 92401-08012	2



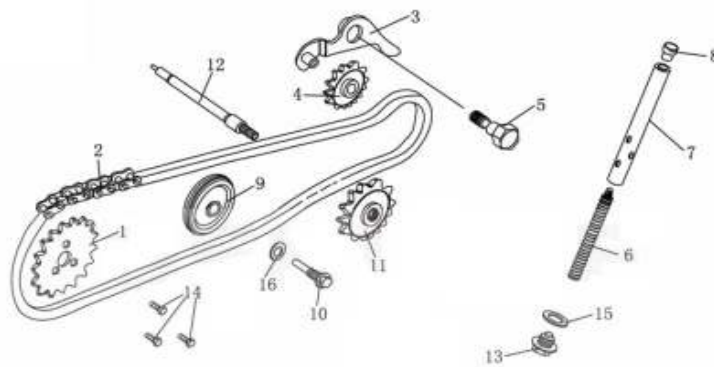
CAMSHAFT/VALVE



DIA.N	PART NO.	DESCRIPTION	Q'TY
B03-01	14790-ABCD-000	Oil Seal, Valve	2
B03-02	14100-ABCD-000	Camshaft, Comp.	1
B03-04	14450-ABCD-000	Shaft, Valve Rocker On	2
B03-05	14711-ABC0-000	Valve In	1
B03-06	14721-ABC0-000	Valve Out	1
B03-07	14751-ABC0-000	Spring, Valve Outer	2
B03-08	14771-ABC0-000	Retainer, Valve Outer	2
B03-09	14775-ABC0-000	Seat, Valve Spring Outer	2
B03-10	14781-ABC0-000	Cotter, Valve	4
B03-13	14752-ABC0-000	Spring, Valve Inner	2
B03-14	14430-ABCD-000	Valve Rocker Arm Comp. (includes bellow:)	2
B03-03	20111-ABCD-000	Valve Rocker Arm (not sold alone)	2
B03-11	14436-ABCD-000	Screw, Tappet Adjusting (not sold alone)	2
B03-12	14437-ABCD-000	Nut, Tappet Adjusting (not sold alone)	2



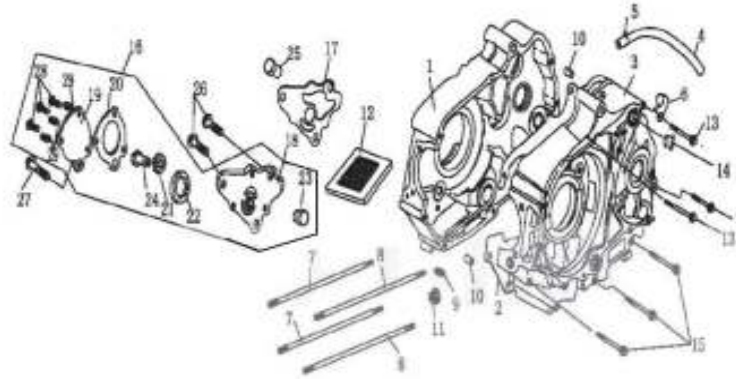
CAM CHAIN TENSIONER



DIA.N	PART NO.	DESCRIPTION	Q'TY
B04-01	14109-AB00-000	Sprocket 28T, Cam	1
B04-02	14440-AB00-000	Chain 84S, Cam	1
B04-03	14530-ABCD-000	Arm, Cam Chain Tensioner	1
B04-04	14541-ABCD-000	Roller, Cam Chain Tensioner	1
B04-05	14542-ABCD-000	Pivot, Cam Chain Tensioner	1
B04-06	14543-ABCD-000	Spring, Cam Chain Tensioner	1
B04-07	14510-ABCD-000	Rod, Cam Chain Tensioner	1
B04-08	14512-ABCD-000	End, Cam Chain Tensioner Rod	1
B04-09	14560-AB00-000	Roller, Cam Chain Guide 6*45*12	1
B04-10	14561-AB00-000	Pin, Cam Chain Guide Roller	1
B04-11	15133-AB00-000	Sprocket Wheel 25T, Oil Pump	1
B04-12	15114-AB00-000	Shaft, Oil Pump Sprocket Wheel	1
B04-13	90111-12014-00L	Bolt, Sealing Chain Tensioner M14X1.5	1
B04-14	GB/5783-05012-B	Bolt, Hex-Head M5*12	3
B04-15	90301-14-00B	Washer 14	1
B04-16	90301-8-00B	Washer 8	1



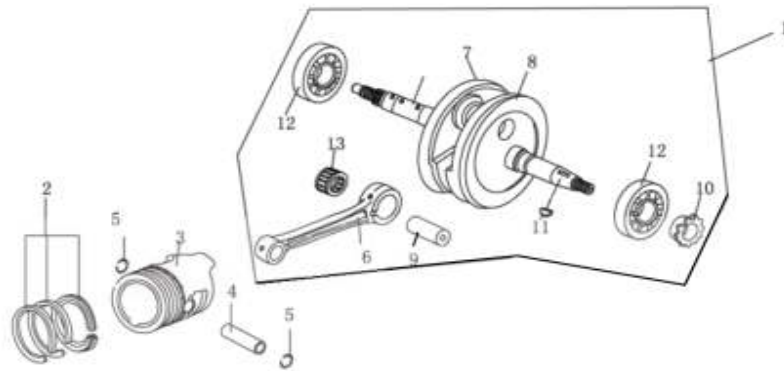
B05- CRANKCASE



DIA.N	PART NO.	DESCRIPTION	Q'TY
B05-01	11100-B000-00B	Crankcase R.	1
B05-02	11191-AB00-000	Gasket, Crankcase	1
B05-03	11210-B000-00B	Crankcase L.	1
B05-04	11211-B000-000	Tube, Breather	1
B05-05	11212-B000-000	Clip, Breather Tube	1
B05-06	11421-ABCD-000	Clip, Tube	1
B05-07	GB/899-06193-C	Bolt A193, Cylinder Stud	2
B05-08	GB/899-06203-C	Bolt B203, Cylinder Stud	2
B05-09	90301-12-000	Aluminium Washer □12	1
B05-10	90411-10014-000	Pin, Dowel □10*14	2
B05-11	90115-12015-00L	Bolt, Drain Plug M12*1.5	1
B05-12	15160-ABCD-000	Screen, Oil Filter	1
B05-13	GB/5787-06060-L	Bolt, Hex-Flange M6*60	2
B05-14	11411-ABCD-000	Rubber, Plug	1
B05-15	GB/5787-06065-L	Bolt, Hex-Flange M6*65	3
B05-16	15100-B000-000	Oil Pump Assy. <i>(includes bellow:)</i>	1
B05-18	15110-B000-000	Body, Oil Pump <i>(not sold alone)</i>	1
B05-19	15101-B000-000	Cover, Oil Pump <i>(not sold alone)</i>	1
B05-20	15115-B000-000	Gasket, Oil Pump Cover <i>(not sold alone)</i>	1
B05-21	15107-B000-000	Statpr, Oil Pump Inner <i>(not sold alone)</i>	1
B05-22	15108-B000-000	Stator, Oil Pump Outer <i>(not sold alone)</i>	1
B05-23	15111-B000-000	Bush, Oil Pump □2.5*10 <i>(not sold alone)</i>	1
B05-24	15109-B000-000	Drive Shaft, Oil Pump <i>(not sold alone)</i>	1
B05-28	GB/818-05010-B	Bolt, Cross M5*10 <i>(not sold alone)</i>	3
B05-29	90313-B000-00A	Washer □5 <i>(not sold alone)</i>	3
B05-17	15116-B000-000	Gasket, Oil Pump	1
B05-25	15112-B000-000	Bush, Oil Pump Sprocket	1
B05-26	GB/818-06016-B	Bolt, Cross M6*16	2
B05-27	GB/818-06022-B	Bolt, Cross M6*22	1



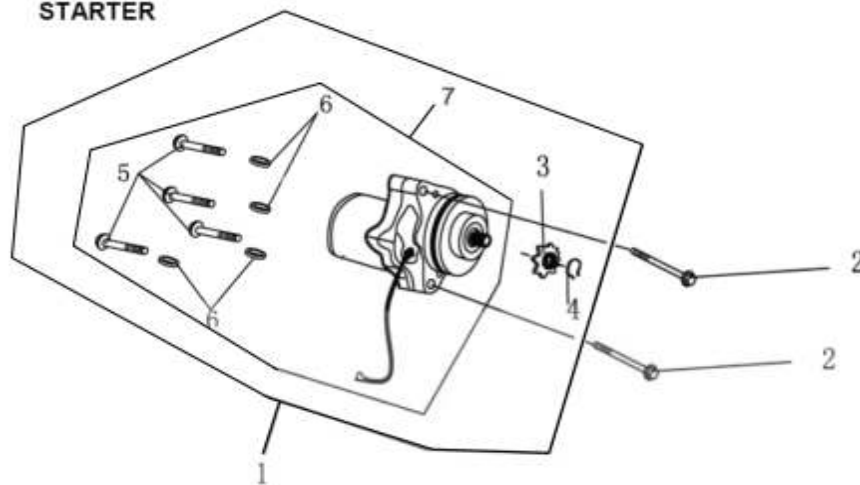
CRANKSHAFT/PISTON



DIA.N	PART NO.	DESCRIPTION	Q'TY
B06-01	13200-B000-000	Crankshaft Assy. (includes bellow:)	1
B06-06	13201-B000-000	Rod, Connecting (not sold alone)	1
B06-07	13204-B000-000	Crankshaft R. (not sold alone)	1
B06-08	13205-B000-000	Crankshaft L. (not sold alone)	1
B06-09	13202-B000-000	Pin, Crankshaft (not sold alone)	1
B06-10	14201-AB00-000	Sprocket Wheel, Timing 14T (not sold alone)	1
B06-11	13206-B000-000	Key, Woodruff (not sold alone)	1
B06-12	GB/T276-94-6304	Bearing 6304 (not sold alone)	2
B06-13	13203-B000-000	Needle Bearing (not sold alone)	1
B06-02	13120-B000-000	Ring Set, Piston	1
B06-03	13101-B000-000	Piston	1
B06-04	13111-B000-000	Pin, Piston □13*41.9	1
B06-05	13112-ABCD-000	Clip, Piston Pin	2



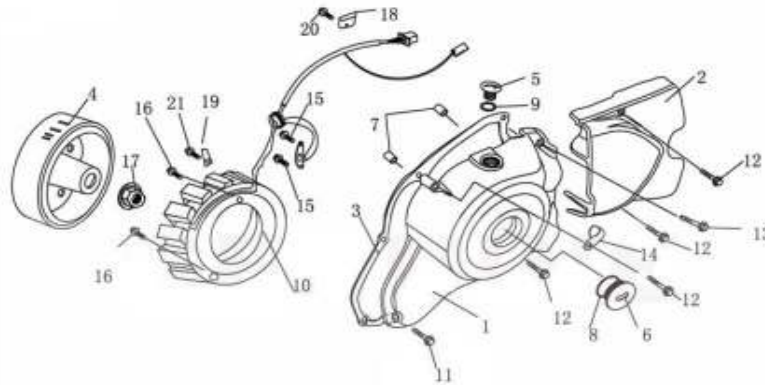
STARTER



DIA.N	PART NO.	DESCRIPTION	Q'TY
B07-01	31200-ABC0-000	Starting Motor Assy	1
B07-02	GB/5787-06025-L	Bolt, Hex-Flange M6*25	2
B07-03	31231-ABC0-000	Driving Sprocket Wheel , Start Motor12T <i>(not sold alone)</i>	1
B07-04	90311-ABC0-000	Circlip, Motor Sprocket Wheel	1
B07-07	31201-ABC0-000	Motor Assy <i>(includes bellow:)</i>	1
B07-05	GB/823-05030-L	Bolt, Cross M5*30 <i>(not sold alone)</i>	4
B07-06	90313-ABC0-000	Washer 5 <i>(not sold alone)</i>	4



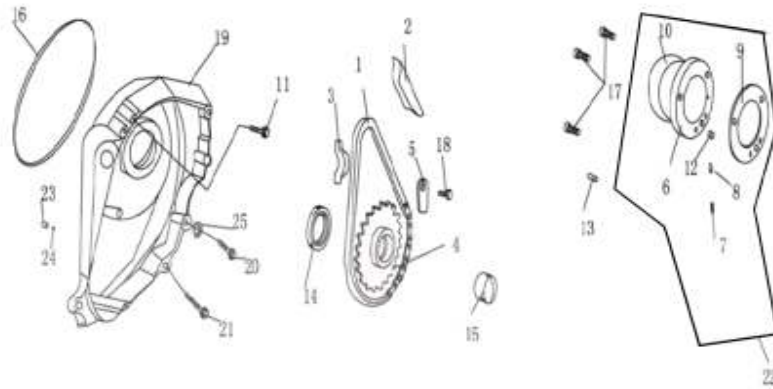
LEFT CRANKCASE COVER/GENERATOR



DIA.N	PART NO.	DESCRIPTION	Q'TY
B08-01	11400-ABC0-00B	Front Cover,Crncase L	1
B08-02	11430-ABC0-00B	Rear Cover,Crncase L	1
B08-03	11495-ABC0-000	Gasket, L Crankcase Front Cover	1
B08-04	31110-ABC0-000	Flywheel Comp.	1
B08-05	11445-ABC0-000	Cover,Top View Hole M14	1
B08-06	11446-ABC0-000	Cover, View Hole M30	1
B08-07	90411-08014-000	Pin, Dowel 92401-08014	2
B08-08	90701-27002-000	O Ring,View Hole Cover 27*2	1
B08-09	90701-13002-000	Gasket,O Ring View Hole Cover 13.8*2.5	1
B08-10	31120-ABC0-000	Stator Comp, Generator	1
B08-11	GB/5787-06025-L	Bolt, Hex-Flange M6*25	1
B08-12	GB/5787-06032-L	Bolt, Hex-Flange M6*32	4
B08-13	GB/5787-06050-L	Bolt, Hex-Flange M6*50	1
B08-14	11421-ABC0-000	Cable Clip,Starting Motor	1
B08-15	GB/818-05016-B	Bolt, Cross M5*16	2
B08-16	GB/5787-06020-L	Bolt, Hex-Flange M6*20	2
B08-17	GB/T41-M10-C	Nut, Hex- Head M10*1.25	1
B08-18	31116-ABC0-000	Plate,Pressing Wire	1
B08-19	31117-ABC0-000	Fixture Board	1
B08-20	GB/5787-06012-L	Bolt, Hex-Flange M6*12	1
B08-21	GB/818-05005-L	Bolt, Cross M5*5	1



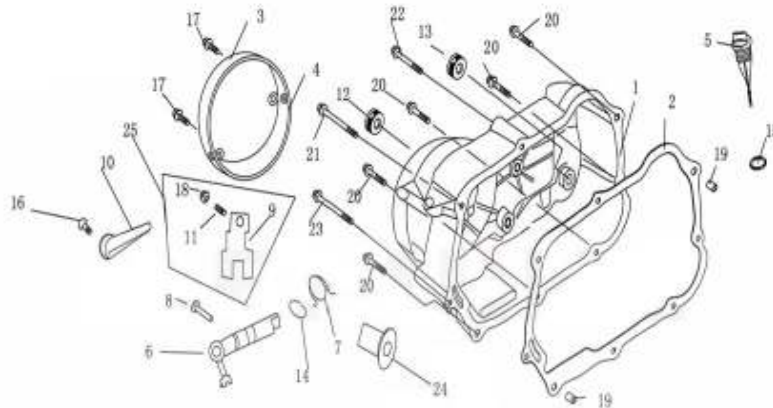
Cover, Single Orientation



DIA.N	PART NO.	DESCRIPTION	Q'TY
B09-01	31210-ABC0-000	Start Chain 64S	1
B09-02	28132-AB00-000	Guide Plate, Start Chain	1
B09-03	28134-AB00-000	Tension Guide, Start Chain	1
B09-04	28121-ABC0-000	Chain Set 41T, Start Chain	1
B09-05	23802-ABC0-000	Pressure Plate, Start Sprocket	1
B09-11	GB/5787-06025-L	Bolt, Hex-Flange M6*25	3
B09-13	90411-06025-000	Pin, Dowel 92140-06025B	1
B09-14	90801-3042-004	Oil Seal 30*42*4.5	1
B09-15	90801-190030-005	Oil Seal , Drive Sprocket Wheel 18.9*30*5	1
B09-16	90701-ABCD-000	O Ring 107*2	1
B09-17	GB/70-06012-B	Bolt, Cylindre Hex-Head M6*12	3
B09-18	GB/5787-06012-L	Bolt, Hex-Flange M6*12	1
B09-19	11251-ABC0-00B	Cover	1
B09-20	GB/5787-06035-L	Bolt, Hex-Flange M6*35	1
B09-21	GB/5787-06105-L	Bolt, Hex-Flange M6*105	1
B09-22	28120-ABC0-000	Single Orientation Assy	1
B09-06	28128-ABC0-000	Body, Single Orientation <i>(not sold alone)</i>	1
B09-07	28122-ABC0-000	Spring, Roller <i>(not sold alone)</i>	3
B09-08	28135-ABC0-000	Cover, Roller Spring <i>(not sold alone)</i>	3
B09-09	28125-ABC0-000	Gasket, Single Orientation <i>(not sold alone)</i>	1
B09-10	28131-ABC0-000	Outer Cover, Single Orientation <i>(not sold alone)</i>	1
B09-12	28123-ABC0-000	Roller <i>(not sold alone)</i>	3
B09-23	90411-08014-000	Pin, Dowel 92401-08014	1
B09-24	90701-08002-000	Seal Washer 8*2.5	1
B09-25	28105-ABC0-000	Washer □ 6	1



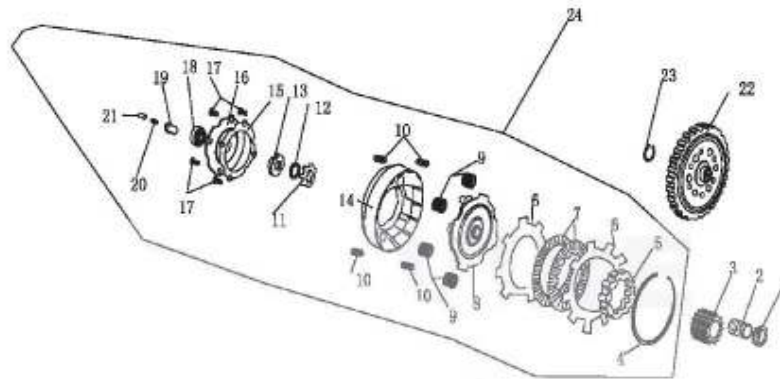
RIGHT CRANKCASE COVER



DIA.N	PART NO.	DESCRIPTION	Q'TY
B10-01	11300-BC00-00B	Crankcase Cover, R.	1
B10-02	11393-B000-000	Gasket, R. Crankcase Cover	1
B10-03	11356-BC00-000	Cover Tappet, Clutch	1
B10-04	11357-BC00-000	Gasket, Clutch Cover	1
B10-05	15155-ABC0-000	Gauge, Oil Level	1
B10-06	21421-BC00-000	Camshaft Assy, Clutch	1
B10-07	21416-BC00-000	Return Spring, Clutch Camshaft	1
B10-08	21411-BC00-000	Pin,Clutch Camshaft	1
B10-10	21449-BC00-000	Press Plate, Clutch	1
B10-12	90801-11021-005	Oil Seal 11*21*4	1
B10-13	90801-13024-005	Oil Seal, Start Axle 13.8*24*5	1
B10-14	90701-14001-000	O Ring 14*1.5	1
B10-15	90701-18003-000	O Ring 18*3.6	1
B10-16	GB/818-06016-T	Bolt, Cross M6*16	1
B10-17	GB/818-05012-B	Bolt, Cross M5*12	2
B10-19	90411-08012-000	Pin, Dowel 92401-08012	2
B10-20	GB/5787-06040-L	Bolt, Hex-Flange M6*40	5
B10-21	GB/5787-06100-L	Bolt, Hex-Flange M6*100	1
B10-22	GB/5787-06065-L	Bolt, Hex-Flange M6*65	1
B10-23	GB/5787-06055-L	Bolt, Hex-Flange M6*55	1
B10-24	21451-BC00-000	Push Rod, Clutch	1
B10-25	21452-BC00-000	Ring Set ,Clutch (includes bellow:)	1
B10-09	21448-BC00-000	Spreader Plate, Clutch <i>(not sold alone)</i>	1
B10-11	21447-BC00-000	Adjusting Screw <i>(not sold alone)</i>	1
B10-18	GB/41-M6-L	Nut, Hex- Head M6 <i>(not sold alone)</i>	1



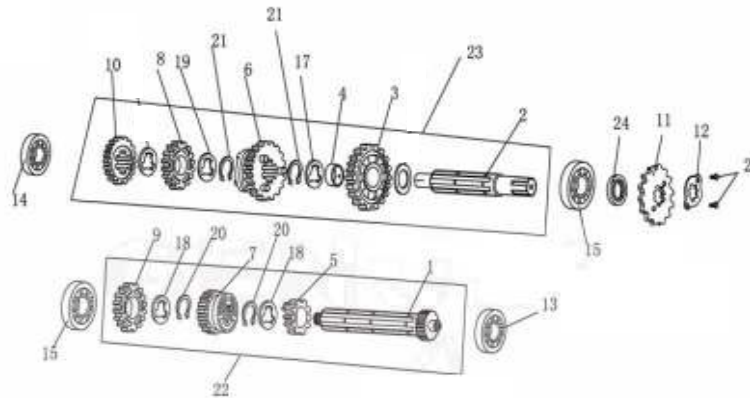
CLUTCH



DIA.N	PART NO.	DESCRIPTION	Q'TY
B11-01	21116-AB00-000	Bush 17*29*8	1
B11-02	21117-ABC0-000	Bush 17*21*20.5	1
B11-03	21227-B000-000	Drive Gear 17T	1
B11-04	21115-ABC0-000	Circlip □104	1
B11-05	22210-B000-000	Outer Cover, Drive Gear 17T	1
B11-06	21217-B000-000	Driven Friction Plate, Clutch	2
B11-07	21224-B000-000	Drive Friction Plate, Clutch	2
B11-08	21221-B000-000	Drive Disc	1
B11-09	21225-B000-000	Spring	4
B11-10	21223-B000-000	Spring, Clutch	4
B11-11	21308-ABC0-000	Thrust Washer	1
B11-12	90315-ABCD-000	Washer □14* □24*1.2	1
B11-13	90209-14001-000	Nut, Lock M14*1	1
B11-14	21111-B000-000	Outer Cover, Clutch	1
B11-15	21103-B000-000	Gasket, Clutch Head Cover	1
B11-16	21102-B000-000	Clutch Head Cover	1
B11-17	GB/820-05012-B	Bolt, Cross M5*12	4
B11-18	GB/T276-94-6000	Bearing 6000	1
B11-19	21237-B000-000	Oil Tube	1
B11-20	21234-ABC0-000	Spring, Oil Tube	1
B11-21	21235-ABC0-000	Oil Tube	1
B11-22	22226-B000-000	Driven Gear 69T	1
B11-23	28106-ABC0-000	Circlip □16	1
B11-24	21000-B000-000	Clutch Assy.	1



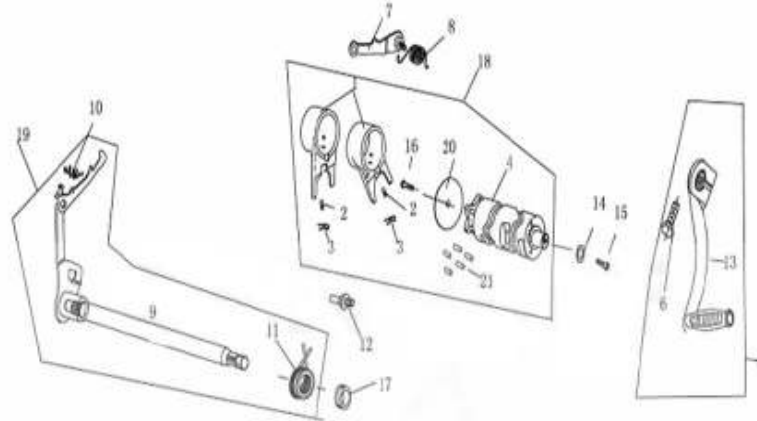
TRANSMISSION



DIA.N	PART NO.	DESCRIPTION	Q'TY
B12-01	23501-ABC0-000	Mainshaft, Transmission <i>(not sold alone)</i>	1
B12-02	23601-ABC0-000	Countershaft, Transmission <i>(not sold alone)</i>	1
B12-03	23611-ABCD-000	Gear, Countershaft 1st 36T	1
B12-04	23614-ABCD-000	Gear Sheath	1
B12-05	23509-ABCD-000	Gear, Mainshaft 2nd 16T <i>(not sold alone)</i>	1
B12-06	23603-ABCD-000	Gear, Countershaft 2nd 31T	1
B12-07	23504-ABCD-000	Gear, Mainshaft 3rd 17T	1
B12-08	23608-ABCD-000	Gear, Countershaft 3rd 23T	1
B12-09	23505-ABCD-000	Gear, Mainshaft 4th 20T <i>(not sold alone)</i>	1
B12-10	23605-ABCD-000	Gear, Countershaft 4th 21T	1
B12-11	41205-ABCD-000	Sprocket Wheel, Drive 17T	1
B12-12	23681-ABCD-000	Plate, Drive Sprocket	1
B12-13	GB/T276-94-6001	Bearing 6001	1
B12-14	GB/T276-94-6201	Bearing 6201	1
B12-15	GB/T276-94-6203	Bearing 6203	2
B12-17	23606-ABCD-001	Washer 1, Lock □23	1
B12-18	23507-ABCD-000	Washer, Lock □20.8	2
B12-19	23606-ABCD-002	Washer 2, Lock 20.8	1
B12-20	23506-ABCD-000	Circlip □15.5	2
B12-21	23610-ABCD-000	Circlip □15.5	2
B12-22	23500-ABC0-000	Mainshaft, Assy.	1
B12-23	23600-ABC0-000	Countershaft, Assy.	1
B12-24	90801-1729-005	Oil Seal, Countershaft 17*29*5	1
B12-25	GB/5783-06008-L	Bolt, Hex-Head M6*8	2



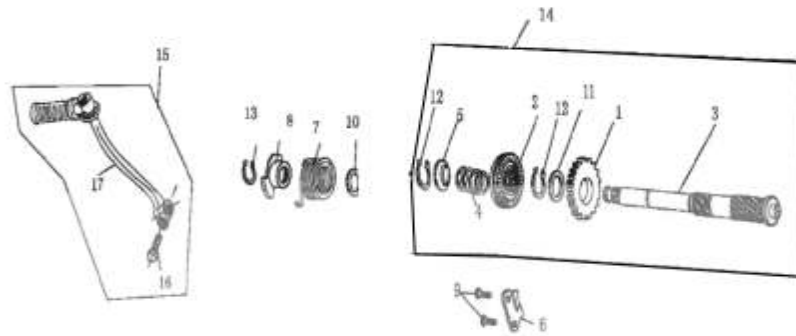
GEARSHIFT MECHANISM



DIA.N	PART NO.	DESCRIPTION	Q'TY
B13-01	23740-ABCD-000	Fork, Gearshift	2
B13-02	23742-ABCD-000	Pin, Gearshift Fork Guide	2
B13-03	23748-ABCD-000	Clip, Gearshift Fork Guide Pin	2
B13-04	23701-ABCD-000	Drum, Gearshift	1
B13-05	FA000100	Gearshift Pole Assy.	1
B13-06	GB/5783-06020-L	Bolt, Hex-Head M6*20	1
B13-07	23730-ABCD-000	Spindle Comp, Gearshift Drum	1
B13-08	23731-ABCD-000	Spring, Shift Drum Stopper	1
B13-12	23723-ABCD-000	Bolt, Shift Fixture	1
B13-13	FA000101	Gearshift Pole (<i>not sold alone</i>)	1
B13-14	23718-ABCD-000	Washer □ 6	1
B13-15	GB/5783-06016-L	Bolt, Hex-Head M6*16	1
B13-16	GB/818-06016-T	Bolt, Cross M6*16	1
B13-17	90801-11024-010	Oil Seal, Shaft Shift 11.6*24*10	1
B13-18	23701-ABCD-00A	Drum, Gearshift Comp.	1
B13-20	23719-ABCD-000	Fixture Board	1
B13-21	23746-ABCD-000	Pin, Fixture Board □ 4*13	5
B13-19	23700-BC00-000	Shaft Shift Assy.	1
B13-09	23712-BCD0-000	Arm Comp, Gearshift (<i>not sold alone</i>)	1
B13-10	23722-BCD0-000	Spring, Shaft Shift (<i>not sold alone</i>)	1
B13-11	23716-BCD0-000	Spring, Shaft Shift Return (<i>not sold alone</i>)	1



KICK STARTING MECHANISM

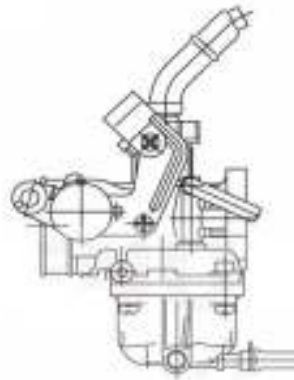


B14-14	28100-ABC0-000	Kick Axle Comp. (includes bellow:)	1
B14-01	28114-ABC0-000	Gear, Kick Start Drive (not sold alone)	1
B14-02	28119-ABC0-000	Ratchet Wheel, Starter (not sold alone)	1
B14-03	28112-ABC0-000	Shaft, Kick Start (not sold alone)	1
B14-04	28167-ABC0-000	Spring, Ratchet Wheel (not sold alone)	1
B14-05	28149-ABC0-000	Seat, Ratchet Wheel Spring (not sold alone)	1
B14-11	28113-ABC0-000	Washer □ 20 (not sold alone)	1
B14-12	28109-ABC0-000	Circlip □ 18 (not sold alone)	2
B14-06	28164-ABCD-000	Guide Plate, Ratchet Wheel	1
B14-07	28116-ABC0-000	Return Spring, Kick Start Shaft	1
B14-08	28115-ABC0-000	Return Spring Seat, Kick Start Shaft	1
B14-09	GB/5783-06020-L	Bolt, Hex-Head M6*20	2
B14-10	28103-ABC0-000	Washer □ 17	1
B14-13	28106-ABC0-000	Circlip □ 16	1
B14-15	FA000200	Kick Starter	1
B14-16	GB/5783-06020-L	Bolt, Hex-Head M6*20	1
B14-17	FA000201	Kick Starter (not sold alone)	1



PG 15

CARBURETOR



DIA.N	PART NO.	DESCRIPTION	Q'TY
B15-01	01U010000	Carburetor Assy.	1