



## **Parts Manual 2006** **(JNR Engine)**



TEL: 1-888-521-3677

[www.unlimitedpowercorp.com](http://www.unlimitedpowercorp.com)

12207 Los Nietos Rd. U.I.C., Santa Fe Springs Ca. 90670

**ENGINE 90C.C.**

CYLINDER HEAD ..... PAGE 1

CYLINDER ..... PAGE 2

CAMSHAFT VALVE ..... PAGE 3

CAM CHAIN TENSIONER ..... PAGE 4

CRANKCASE ..... PAGE 5

OIL FILTER ..... PAGE 6

OIL PUMP..... PAGE 7

CRANKSHAFT/ PISTON ..... PAGE 8

LEFT CRANKCASE COVER/GENERATOR..... PAGE 9

CLUCTH ..... PAGE 10

RIGHT CRANKCASE COVER ..... PAGE 11

TRANSMISSION..... PAGE 12

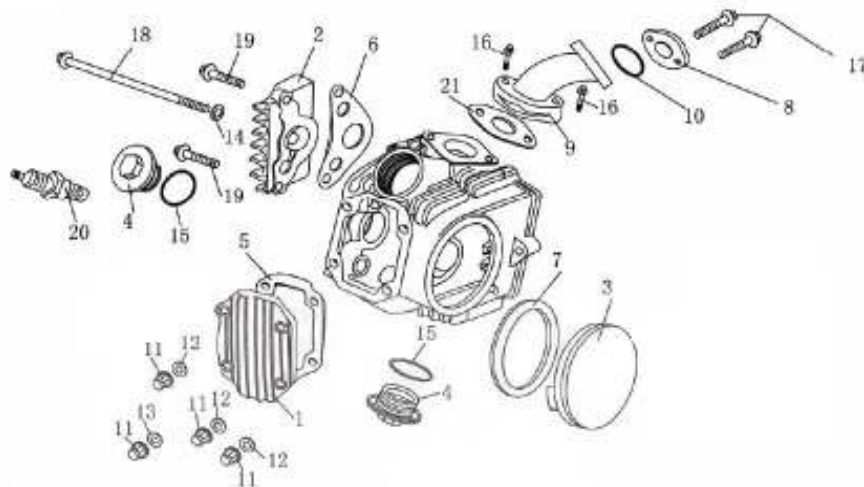
GEAR SHIFT MECHANISM..... PAGE 13

KICK START MECHANISM..... PAGE 14

CARBURETOR..... PAGE 15



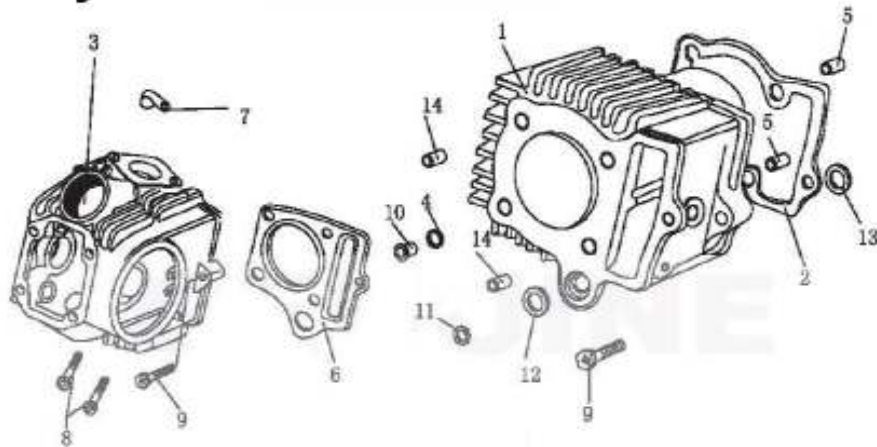
### CYLINDER HEAD



DIA #	PART NO.	DESCRIPTION	Q'ty
A01-01	12310-ABC0-000	Cylinder Head Cover	1
A01-02	12332-ABC0-000	Cylinder Head Cover R.	1
A01-03	12331-AB00-000	Cylinder Head Cover L	1
A01-04	FB000102GD	Valve Cap (Gold)	2
A01-05	12392-ABC0-000	Gasket, Cylinder Head Cover	1
A01-06	12334-ABC0-000	Gasket, Cylinder Head Cover R.	1
A01-07	12333-AB00-000	Gasket, Cylinder Head Cover L.	1
A01-08	16107-ABCD-000	Gasket, Insulator	1
A01-09	16103-ABC0-000	Pipe In	1
A01-10	90701-25002-000	O-Ring 25*2.4	1
A01-11	GB/923-88-M6-L	Nut, Flange M6	4
A01-12	90301-06005-00B	Washer 6.5	3
A01-13	90301-08005-0CU	Copper Washer 6.5	1
A01-14	90301-6-00B	Aluminum Washer 6.5	1
A01-15	90701-31003-005	O-Ring, Valve 27.4*2.4	2
A01-16	GB/5787-06025-L	Bolt, Hex-Flange M6*25	2
A01-17	GB70-06030-N	Bolt, Cylinder Hex-Flange M6*30	2
A01-18	GB/5787-06110-L	Bolt, Hex-Flange M6*110	1
A01-19	GB5787-06020-L	Bolt, Hex-Flange M6*20	2
A01-20	30700-ABCD-000	Spark Plug	1
A01-21	17191-ABCD-000	Gasket, Pipe in	1
A00-01	FA020000	Full Set Complet 90 cc Engine	1



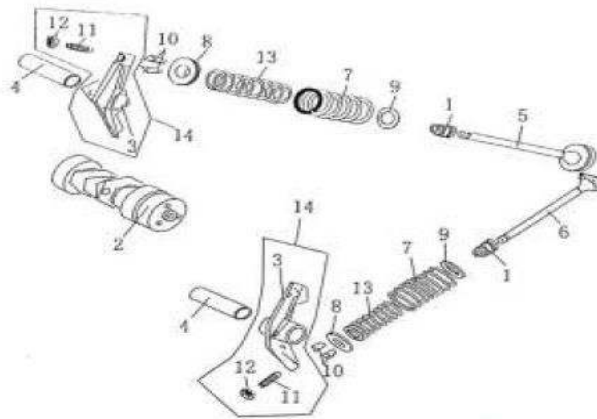
## Cylinder



DIA.N	PART NO.	DESCRIPTION	Q'TY
A02-01	12000-A000-000	Cylinder	1
A02-02	12191-A000-000	Gasket, Cylinder	1
A02-03	12220-A000-000	Cylinder Head	1
A02-04	12395-ABCD-000	O Ring 8*2	1
A02-05	90411-08012-000	Pin Dowel 92401-08012	2
A02-06	12391-A000-000	Gasket, Cylinder Head	1
A02-07	90563-ABCD-000	Clip, Hi-Pot Cable	1
A02-08	GB/70-06020-N	Bolt, Cylinder Hex-Flange M6*20	2
A02-09	GB/19.2-06020-L	Bolt, Hex-Head Cross M6*20	2
A02-10	90414-ABCD-000	Bush 20134	1
A02-11	90128-ABCD-000	Bush 20128	1
A02-12	12393-ABCD-00A	Seal Ring 15*19*2.4	1
A02-13	12393-ABCD-00B	Seal Ring, 11.5*16*2.5	1
A02-14	90411-08014-000	Pin, Dowel 92401-08014	2



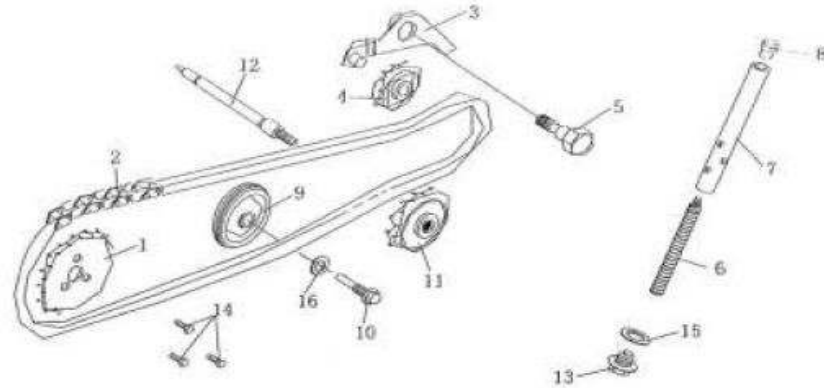
### CAMSHAFT/VALVE



DIA.N	PART NO.	DESCRIPTION	Q'TY
A03-01	14790-ABCD-000	Seal Oil, Valve	2
A03-02	14100-ABCD-000	CamShaft, Comp.	1
A03-04	14450-ABCD-000	Shaft, Valve Rocker On	2
A03-05	14711-ABC0-000	Valve in	1
A03-06	14721-ABC0-000	Valve out	1
A03-07	14751-ABC0-000	Spring, Valve Outer	2
A03-08	14771-ABC0-000	Retainer, Valve Spring	2
A03-09	14775-ABC0-000	Seat, Valve Spring Outer	2
A03-10	14781-ABC0-000	Cotter, Valve	4
A03-13	14752-ABC0-000	Spring, Valve Inner	2
A03-14	14430-ABCD-000	Valve Rocker Arm Comp (includes bellow:)	2
A03-11	14436-ABCD-000	Screw, Tappet Adjusting (not sold alone)	2
A03-12	14437-ABCD-000	Nut, Tappet Adjusting (not sold alone)	2
A03-03	20111-ABCD-000	Valve Rocker Arm (not sold alone)	2



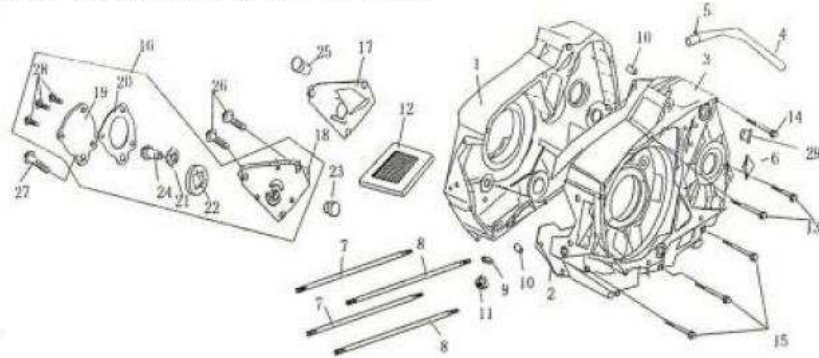
## CAM CHAIN TENSIONER



DIA.N	PART NO.	DESCRIPTION	Q'TY
A04-01	14109-AB00-000	Sprocket, 28T, Cam	1
A04-02	14440-AB00-000	Chain 84S, Cam	1
A04-03	14530-ABCD-000	Arm, Cam Chain Tensioner	1
A04-04	14541-ABCD-000	Roller, Cam Chain Tensioner	1
A04-05	14542-ABCD-000	Pivot, Cam Chain Tensioner	1
A04-06	14543-ABCD-000	Spring, Cam Chain Tensioner	1
A04-07	14510-ABCD-000	Rod, Cam Chain Tensioner	1
A04-08	14512-ABCD-000	End, Cam Chain Tensioner Rod	1
A04-09	14560-AB00-000	Roller, Cam Chain Guide	1
A04-10	14561-AB00-000	Pin, Cam Chain Guide Roller	1
A04-11	15133-AB00-000	Sprocket Wheel, 25T Oil Pump	1
A04-12	15114-AB00-000	Shaft, Oil Pump Sprocket Wheel	1
A04-13	90111-12014-00L	Bolt, Sealing Chain Tensioner M14x1.5	1
A04-14	GB/5783-05012-B	Bolt, Hex-Head M5*12	3
A04-15	90301-14-00B	Washer 14	1
A04-16	90301-8-00B	Washer 8	1



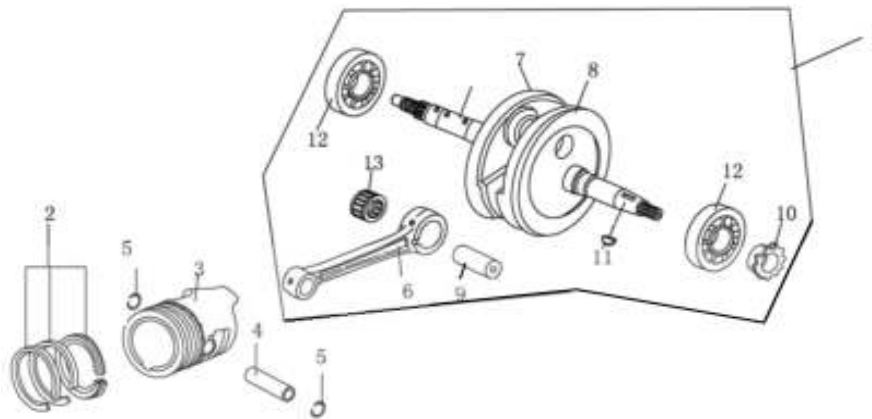
## CRANKCASE/ OIL PUMP



DIA.N	PART NO.	DESCRIPTION	Q'TY
A05-01	11100-A000-00B	Crankcase ,R.	1
A05-02	11191-AB00-000	Gasket, Crankcase	1
A05-03	11210-A000-00B	Crankcase L.	1
A05-04	11211-A000-000	Tube, Breather	1
A05-05	11422-A000-000	Clip,Breather Tube	1
A05-06	11421-ABCD-000	Clip,Tube	1
A05-07	GB/899-06193-C	Bolt A193, Cylinder Stud	2
A05-08	GB/899-06203-C	Bolt B203, Cylinder Stud	2
A05-09	90301-12-000	Aluminium Washer 12	1
A05-10	90411-10014-000	Pin,Dowel 10*14	2
A05-11	90115-ABCD-00L	Bolt, Drain Plug12*1.5	1
A05-12	15160-ABCD-000	Sreen,Oil Filter	1
A05-13	GB/5787-06060-L	Bolt, Hex- FlangeM6*60	2
A05-14	GB/5787-06050-L	Bolt, Hex- FlangeM6*50	1
A05-15	GB/5787-06065-L	Bolt, Hex- FlangeM6*65	3
A05-16	15100-A000-000	Oil Pump Assy.	1
A05-17	15116-A000-000	Gasket,Oil Pump	1
A05-18	15110-A000-000	Body, Oil Pump <i>(not sold alone)</i>	1
A05-19	15101-A000-000	Cover, Oil Pump <i>(not sold alone)</i>	1
A05-20	15115-A000-000	Gasket, Oil Pump Cover <i>(not sold alone)</i>	1
A05-21	15107-A000-000	Stator, Oil Pump Inner <i>(not sold alone)</i>	1
A05-22	15108-A000-000	Stator, Oil Pump Outer <i>(not sold alone)</i>	1
A05-23	15111-A000-000	Bush, Oil Pump 2.5*10	1
A05-24	15109-A000-000	Drive Shaft, Oil Pump <i>(not sold alone)</i>	1
A05-25	15112-A000-000	Bush,Oil Pump Sprocket Wheel	1
A05-26	GB/818-06016-B	Bolt, CrossM6*16	2
A05-27	GB/818-06022-B	Bolt, CrossM6*22	1
A05-28	GB/818-05010-B	Bolt, Cross M5*10 <i>(not sold alone)</i>	3
A05-29	11411-ABCD-000	Rubber Cushion	1



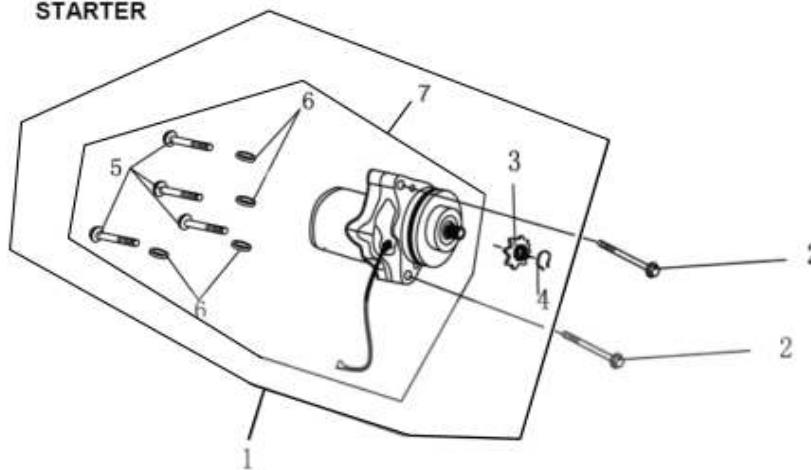
CRANKSHAFT/PISTON



DIA.N	PART NO.	DESCRIPTION	Q'TY
A06-01	13200-A000-000	Crankshaft Assy (include bellow:)	1
A06-06	13201-A000-000	Rod, Conecting <i>(not sold alone)</i>	1
A06-07	13204-A000-000	CrankShaft R. <i>(not sold alone)</i>	1
A06-08	13205-A000-000	Crankshaft L. <i>(not sold alone)</i>	1
A06-09	13202-A000-000	Pin, Crankshaft <i>(not sold alone)</i>	1
A06-10	14201-AB00-000	Sprocket Wheel, Timing 14T <i>(not sold alone)</i>	1
A06-11	13206-A000-000	Key, Woodruff <i>(not sold alone)</i>	1
A06-12	GB/276-94-6304	Bearing 6304 <i>(not sold alone)</i>	2
A06-13	13203-A000-000	Needle Bearing <i>(not sold alone)</i>	1
A06-02	13120-A000-000	Ring Set, Piston	1
A06-03	13101-A000-000	Piston	1
A06-04	13111-A000-000	Pin, Piston 13*38	1
A06-05	13112-ABCD-000	Clip, Piston Pin	2



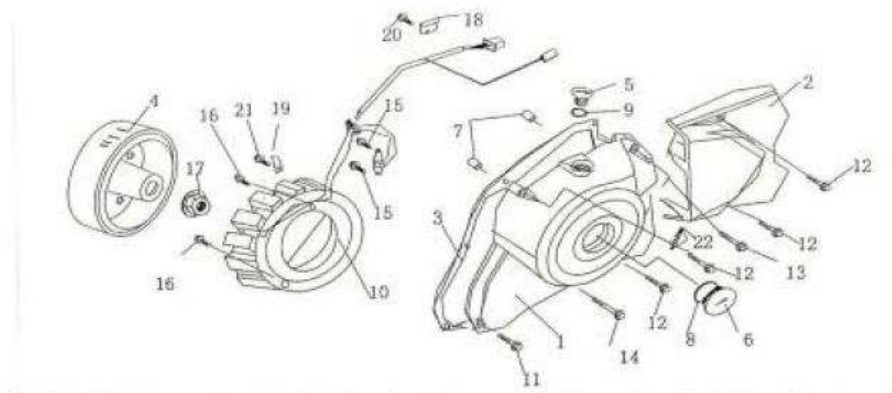
STARTER



DIA.N	PART NO.	DESCRIPTION	Q'TY
A07-01	31200-ABC0-000	Stator Motor Assy	1
A07-02	GB/5787-06025-L	Bolt, Hex-Flange M6*25	2
A07-03	31231-ABC0-000	Driving Sprocket Wheel , Start Motor12T	1
A07-04	90311-ABC0-000	Circlip, Motor Sprocket Wheel 10.8	1
A07-07	31201-ABC0-000	Motor Assy (includes below:)	1
A07-05	GB/823-05030-L	Bolt, Cross M5*30 (not sold alone)	4
A07-06	90313-ABC0-000	Washer (not sold alone)	4



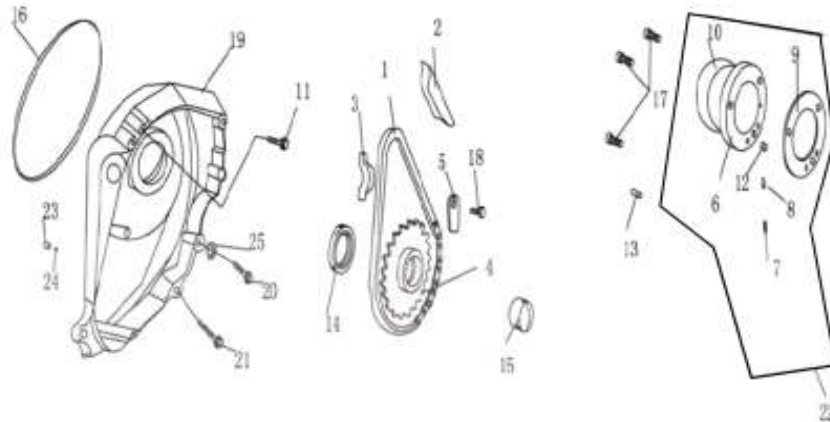
## LEFT CRANKCASE COVER/GENERATOR



DIA.N	PART NO.	DESCRIPTION	Q'TY
A08-01	11400-ABC0-00B	Front Cover, Crankcase L	1
A08-02	11430-ABC0-00B	Rear Cover, Crankcase L	1
A08-03	11495-ABC0-000	Gasket, Crankcase Front Cover L.	1
A08-04	31110-ABC0-000	Flywheel Comp.	1
A08-05	11445-ABC0-000	Cover, Top View Hole M14	1
A08-06	11446-ABC0-000	Cover,View Hole	1
A08-07	90411-08014-000	Pin Dowel 8*14	2
A08-08	90701-27002-000	O Ring, View Hole Cover 27*2	1
A08-09	90701-13002-000	O Ring, Top View Hole Cover 13.8*2.5	1
A08-10	31120-ABC0-000	Stator Comp. Generator	1
A08-11	GB/5787-06025-L	Bolt, Hex-Flange M6*25	1
A08-12	GB/5787-06032-L	Bolt, Hex-Flange M6*32	4
A08-13	GB/5787-06050-L	Bolt, Hex-Flange M6*50	1
A08-14	GB/5787-06105-L	Bolt, Hex-Flange M6*105	1
A08-15	GB/818-05016-B	Bolt, Cross M5*16	2
A08-16	GB/5787-06020-L	Bolt, Hex- Flange M6*20	2
A08-17	GB/T41-86-M10-C	Nut, Hex-Head M10*1.25	1
A08-18	31116-ABC0-000	Plate,Pressing Wire	1
A08-19	31117-ABC0-000	Fixture Board	1
A08-20	GB/5787-06012-L	Bolt, Hex- Flange M6*12	1
A08-21	GB/818-05005-L	Bolt, Cross M5*5	1
A08-22	11421-SBC0-000	Cable Clip, Starting Motor	1



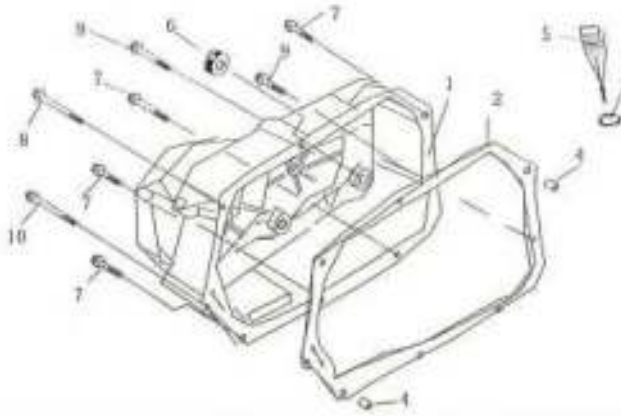
Cover, Single Orientation



DIA.N	PART NO.	DESCRIPTION	Q'TY
A09-01	31210-ABC0-000	Start Chain 64S	1
A09-02	28132-AB00-000	Guide Plate,Start Chain	1
A09-03	28134-AB00-000	Tension Plate,Start Chain	1
A09-04	28121-ABC0-000	Start Sprocket Driven 41T	1
A09-05	23802-ABC0-000	Pressure Plate, Start Sprocket	1
A09-06	28128-ABC0-000	Body, Single Orientation (not sold alone)	1
A09-07	28122-ABC0-000	Spring, Roller (not sold alone)	3
A09-08	28135-ABC0-000	Cover, Roller Spring (not sold alone)	3
A09-09	28125-ABC0-000	Gasket, Single Orientation (not sold alone)	1
A09-10	28131-ABC0-000	Outer Cover, Single Orientation (not sold alone)	1
A09-11	GB/5787-06025-L	Bolt, Hex- Flange M6*25	3
A09-12	28123-ABC0-000	Roller (not sold alone)	3
A09-13	90411-06025-000	Pin Dowel 92140-1602B	1
A09-14	90801-3042-004	Oil Seal 30*42*4.5	1
A09-15	90801-19030-005	Oil Seal , Drive Sprocket Wheel 18.9*30*5	1
A09-16	90701-ABCD-000	O Ring 107*2	1
A09-17	GB/70-06012-B	Bolt, Cylinder Hex-head M6*12	3
A09-18	GB/5787-06012-L	Bolt, Hex-head M6*12	1
A09-19	11251-ABC0-00B	Cover	1
A09-20	GB/5787-06035-L	Bolt, Hex- Flange M6*35	1
A09-21	GB/5787-06105-L	Bolt, Hex- Flange M6*105	1
A09-22	28120-ABC0-000	Single Orientation Assy	1
A09-23	90411-08014-000	Pin Dowel 8*14	1
A09-24	90701-08002-000	Seal Washer 8*□2.5	1
A09-25	28105-ABC0-000	Washer 6	1



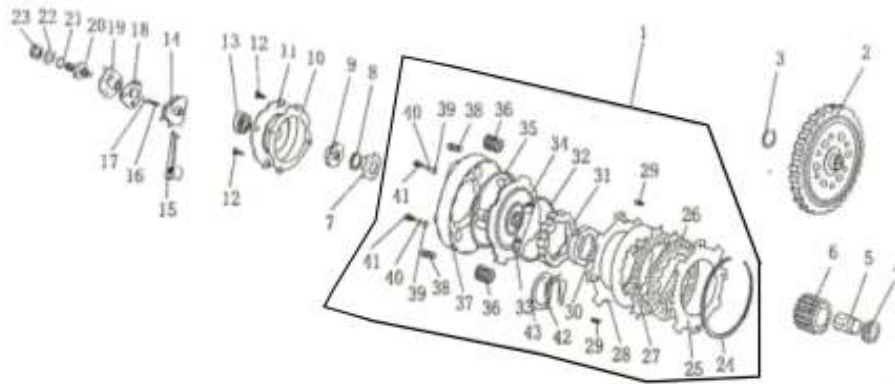
### RIGHT CRANKCASE COVER



DIA.N	PART NO.	DESCRIPTION	Q'TY
A10-01	11300-A000-00B	Crankcase Cover R.	1
A10-02	11393-A000-000	Gasket,R Crankcase Cover	1
A10-03	90701-18003-000	O Ring □18*□3.	1
A10-04	90411-08012-000	Pin Dowel 92401-08012	2
A10-05	15155-ABC0-000	Gauge, Oil Level	1
A10-06	90801-13024-005	Oil Seal, Start Axle 13.8*24*5	1
A10-07	GB/5787-06040-L	Bolt, Hex- Flange M6*105	4
A10-08	GB/5787-06080-L	Bolt, Hex- Flange M6*80	1
A10-09	GB/5787-06065-L	Bolt, Hex- Flange M6*65	2
A10-10	GB/5787-06055-L	Bolt, Hex- Flange M6*55	1



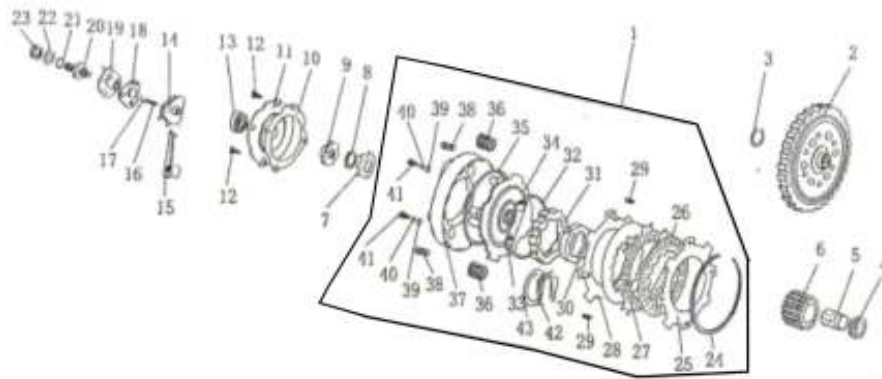
# CLUTCH



DIA.N	PART NO.	DESCRIPTION	Q'TY
A11-01	21000-A000-000	Clutch Assy. (includes below)	1
A11-25	21217-A000-00A	Driven Friction Plate A, Clutch (not sold alone)	1
A11-26	21217-A000-000	Driven Friction Plate, Clutch (not sold alone)	2
A11-27	21217-A000-00B	Drive Friction Plate B, Clutch (not sold alone)	1
A11-28	21217-A000-00C	Driven Friction Plate C, Clutch (not sold alone)	1
A11-02	22226-A000-000	Driven Gear 69T	1
A11-03	28106-ABC0-000	Circlip □16	1
A11-04	21116-AB00-000	Bush □17*□29*8	1
A11-05	21117-ABC0-000	Bush □17*□21*20.5	1
A11-06	21227-A000-000	Drive Gear 17T	1
A11-07	21308-ABC0-000	Thrust Washer	1
A11-08	90315-ABCD-000	Washer 14*24*1.2	1
A11-09	90209-14001-000	Nut, Lock M14*1	1
A11-10	21103-A000-000	Gasket,Clutch Head Cover	1
A11-11	21102-A000-000	Clutch Head Cover	1
A11-12	GB/820-05010-B	Bolt, Cross M5*10	4
A11-13	GB/ T276-94-6000	Bearing 6000	1
A11-14	00000-A000-000	Camshaft, Clutch	1
A11-15	00001-A000-000	Operation Arm, Clutch	1
A11-16	21234-ABC0-000	Spring,Oil Tube	1
A11-17	21235-ABC0-000	Oil Tube	1
A11-18	00004-A000-000	Shaft Comp, Clutch	1
A11-19	00005-A000-000	Shaft Seat, Clutch	1
A11-20	00006-A000-000	Bolt, Tappet Clutch	1
A11-21	00007-A000-000	O-Ring 8*1.5	1
A11-22	00008-A000-000	Washer □8	1
A11-23	00009-A000-000	Nut, Hex-Head	1
A11-24	21115-ABC0-000	Circlip □104	1



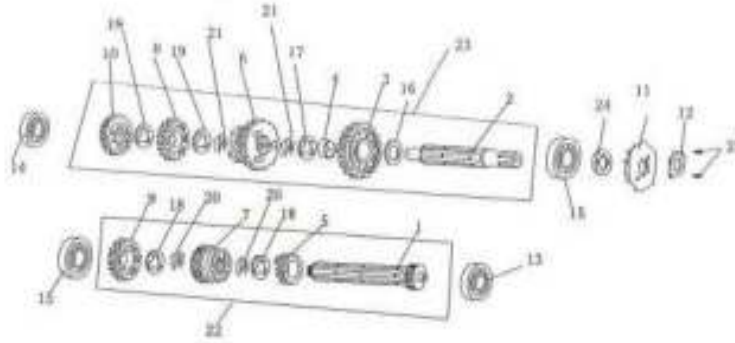
# CLUTCH



DIA.N	PART NO.	DESCRIPTION	Q'TY
A11-29	00010-A000-000	Spring, Seperator Clutch (sold only in Assy.)	4
A11-30	00011-A000-000	Outer Sheath, Driven (sold only in Assy.)	1
A11-31	00012-A000-000	Chip, Clutch (sold only in Assy.)	1
A11-32	00013-A000-000	Circlip (sold only in Assy.)	1
A11-33	00014-A000-000	Hammer (sold only in Assy.)	1
A11-34	00015-A000-000	Driven Plate, Clutch Hammer (sold only in Assy.)	1
A11-35	00016-A000-000	Roller, Hammer (sold only in Assy.)	1
A11-36	21225-A000-000	Spring, Clutch (sold only in Assy.)	4
A11-37	21111-A000-000	Outer Drum, Clutch (sold only in Assy.)	1
A11-38	00017-A000-000	Spring, Clutch (sold only in Assy.)	4
A11-39	00018-A000-000	Washer □5 (sold only in Assy.)	4
A11-40	00019-A000-000	Washer □5 (sold only in Assy.)	4
A11-41	GB/818-05010-B	Bolt, Cross 5*10 (sold only in Assy.)	4
A11-42	00021-A000-000	Circlip □41.3 (sold only in Assy.)	1
A11-43	00022-A000-00A	Washer □46.5* □62 (sold only in Assy.)	1



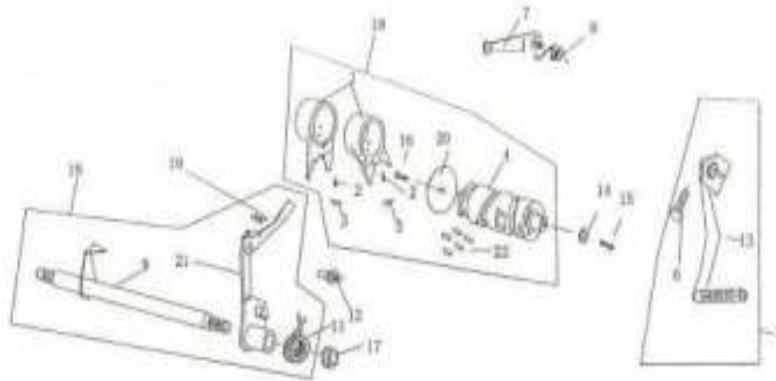
## TRANSMISSION



DIA.N	PART NO.	DESCRIPTION	Q'TY
A12-01	23501-ABC0-000	Main Shaft, Transmission <i>(not sold alone)</i>	1
A12-02	23601-ABC0-000	Countershaft, Transmission <i>(not sold alone)</i>	1
A12-03	23611-ABCD-000	Gear, CounterShaft 1st 36T	1
A12-04	23614-ABCD-000	Gear Sheath	1
A12-05	23509-ABCD-000	Gear, MainShaft 2nd 16T <i>(not sold alone)</i>	1
A12-06	23603-ABCD-000	Gear, MainShaft 2nd 31T	1
A12-07	23504-ABCD-000	Gear, MainShaft 3rd 17T (old model: 20T)	1
A12-08	23608-ABCD-000	Gear, CounterShaft 3rd 23T (old model: 27T)	1
A12-09	23505-ABCD-000	Gear, MainShaft 4th 20T (old model: 23T) <i>(not sold alone)</i>	1
A12-10	23605-ABCD-000	Gear, CounterShaft 21T (old model: 24T)	1
A12-11	41205-ABCD-000	Sprocket Wheel, Drive 17T	1
A12-12	23681-ABCD-000	Plate □ Drive Sprocket	1
A12-13	GB/T276-94-6001	Bearing 6001	1
A12-14	GB/T276-94-6201	Bearing 6201	1
A12-15	GB/T276-94-6203	Bearing 6203	2
A12-16	23609-ABCD-000	Washer, Thrust □12	1
A12-17	23606-ABCD-001	Washer 1, Lock □23	1
A12-18	23507-ABCD-000	Washer, Lock □20.8	2
A12-19	23606-ABCD-002	Washer 2, Lock □20.8	1
A12-20	23506-ABCD-000	Circlip □15.5	2
A12-21	23610-ABCD-000	Circlip □15.5	1
A12-22	23500-ABC0-000	MainShaft Assy.	1
A12-23	23600-ABC0-000	CounterShaft Assy.	1
A12-24	90801-1729-005	Oil Seal, Counter Shaft 17*29*5	1
A12-25	GB/5783-06008-L	Bolt, Hex-Head M6*8	2



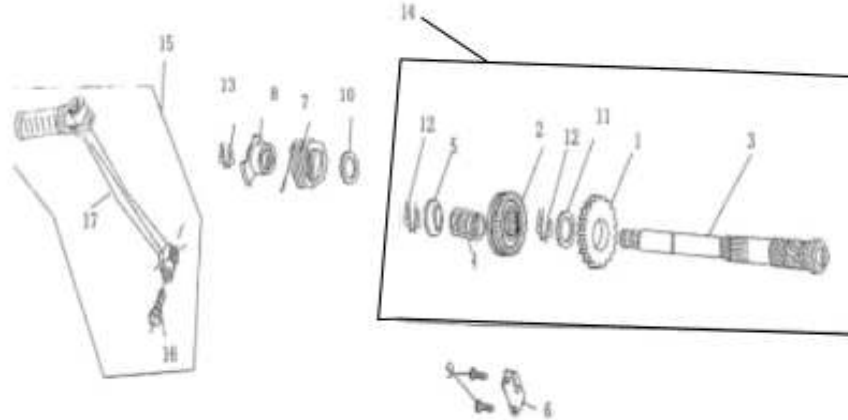
## GEARSHIFT MECHANISM



DIA.N	PART NO.	DESCRIPTION	Q'TY
A13-01	23740-ABCD-000	Fork, Gear Shift	2
A13-02	23742-ABCD-000	Pin, Gearshift Fork Guide	2
A13-03	23748-ABCD-000	Clip, Gearshift Fork Guide Pin	2
A13-04	23701-ABCD-000	Drum, Gearshift	1
A13-05	FA000100	Gearshift Pole Assy.	1
A13-06	GB/5783-06020-L	Bolt, Hex-head M6*20	1
A13-07	23730-ABCD-000	Spindle Comp, Gearshift Drum	1
A13-08	23731-ABCD-000	Spring, Shift Drum Stopper	1
A13-12	23723-ABCD-000	Pivot, Shift Fixture	1
A13-13	FA000101	Gearshift Pole <i>(not sold alone)</i>	1
A13-14	23718-ABCD-000	Washer □6	1
A13-15	GB/5783-06016-00B	Bolt, Hex-Flange M6*16	1
A13-16	GB/818-06016-T	Bolt, Hex-Flange M6*16	1
A13-17	90801-11024-010	Oil Seal , Gear Shift 11.6*24*10	1
A13-18	23701-ABCD-00A	Drum, Gearshift Assy	1
A13-20	23719-ABCD-000	Fixture Board	1
A13-22	23746-ABCD-000	Pin, Fixture Board □4*13	5
A13-19	23700-A000-000	Shaft Shift Assy. <i>(includes bellow:)</i>	1
A13-09	23712-A000-000	Axle, Shaft Shift <i>(not sold alone)</i>	1
A13-10	23722-A000-000	Spring, Shaft Shift <i>(not sold alone)</i>	1
A13-11	23716-A000-000	Spring, Shaft Shift Return <i>(not sold alone)</i>	1
A13-21	00020-A000-000	Arm, Shift Shaft Comp <i>(not sold alone)</i>	1



## KICK STARTING MECHANISM

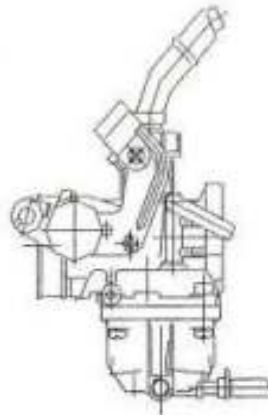


DIA.N	PART NO.	DESCRIPTION	Q'TY
A14-01	28114-ABC0-000	Gear, Kick Start Drive <i>(not sold alone)</i>	1
A14-02	28119-ABC0-000	Ratchet Wheel, Starter <i>(not sold alone)</i>	1
A14-03	28112-ABC0-000	Shaft, Kick Start <i>(not sold alone)</i>	1
A14-04	28167-ABC0-000	Spring, Ratchet Wheel <i>(not sold alone)</i>	1
A14-05	28149-ABC0-000	Seat, Ratchet Wheel Spring <i>(not sold alone)</i>	1
A14-06	28164-ABCD-000	Guide Plate,Ratchet Wheel	1
A14-07	28116-ABC0-000	Return Spring, Kick Start Shaft	1
A14-08	28115-ABC0-000	Return Spring Seat, Kick Start Shaft	1
A14-09	GB/5783-06020-L	Bolt, Hex-Head M6*20	2
A14-10	28103-ABC0-000	Washer □17	1
A14-11	28113-ABC0-000	Washer □20 <i>(not sold alone)</i>	1
A14-12	28109-ABC0-000	Circlip □18 <i>(not sold alone)</i>	2
A14-13	28106-ABC0-000	Circlip □16	1
A14-14	28100-ABC0-000	Kick Axle Assy.	1
A14-15	FA000200	Kick Starter	1
A14-16	GB/5783-06020-L	Bolt, Hex-Head M6*20	1
A14-17	FA000201	Pole, Starter <i>(not sold alone)</i>	1



PG 15

## CARBURETOR



DIA.N	PART NO.	DESCRIPTION	Q'TY
A15-01	01U020000	Carburetor Assy.	1